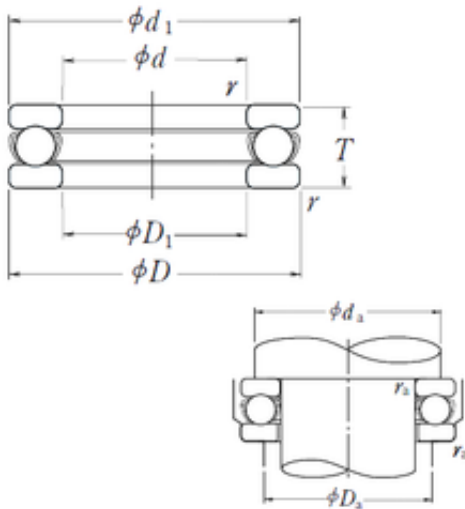




BEARING-SINGAPORE (PTE)LTD.



51318 NSK Thrust Ball Bearing

Bearing No. 51318

Size	90x155x50 mm
Bore Diameter	90 mm
Outer Diameter	155 mm
Width	50 mm
d	90 mm
D	155 mm
T	50 mm
d1	155 mm
r min.	1,5 mm
D1	93 mm
da min.	129 mm
Da max.	116 mm
ra max.	1,5 mm
Weight	3,83 Kg
Basic dynamic load rating (C)	214 kN
Basic static load rating (C0)	525 kN
(Grease) Lubrication Speed	1100 r/min
Category	Thrust Ball Bearing
Inventory	0.0
Manufacturer Name	NSK
Minimum Buy Quantity	N/A
Weight / Kilogram	2.235
Product Group	B00308
Rolling Element	Ball Bearing
Thrust Bearing	Yes
Single or Double Direction	Single Direction

51318 Bearing 2D drawings and 3D CAD models



BEARING-SINGAPORE (PTE)LTD.

Banded	No
Cage Material	Steel
Precision Class	Non-Precision
Component Description	Roller Assembly Plus Raceways
Other Features	Single Row With Flat Seat
Long Description	90MM Bore 1; 93MM Bore 2; 155MM Outside Diameter; 50MM Height; Ball Bearing; Single Direction; Not Banded; Steel Cage; Non-Precision
Inch - Metric	Metric
Category	Thrust Ball Bearings
UNSPSC	31171552
Harmonized Tariff Code	8482.10.50.08
Noun	Bearing
Keyword String	Ball Thrust
Manufacturer URL	http://www.nskamericas.com
Manufacturer Item Number	51318
Weight / LBS	8.4437
Height	1.969 Inch 50 Millimeter
Bore 1	3.543 Inch 90 Millimeter
Bore 2	3.661 Inch 93 Millimeter
Outside Diameter	6.102 Inch 155 Millimeter
Overall Height with Aligning Washer	0 Inch 0 Millimeter
SRI	12.9
hidYobi	51318
LangID	1
D_	155
SREX	0.08
C	214



BEARING-SINGAPORE (PTE)LTD.

B_	50
hidTable	ecat_NSSDTB
Oil rpm	1700
SRE	12.9
mass	3.83
GRS rpm	1100
ra	1.5
SRIX	0.08
D_a	116
SRIN	0
C0	525
SREN	0
D_1	93
Prod_Type3	TB_SD_WFS
da	129
DA_	23.812
Z_	15
yobi	51318
SDM_	122.5
r	1.5
T_	50
KBRG	5111